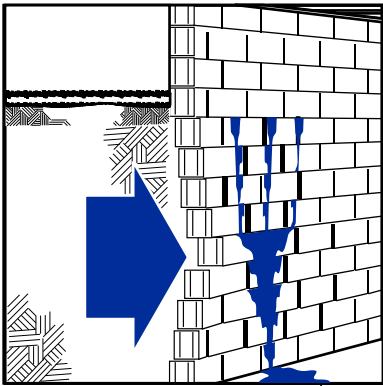
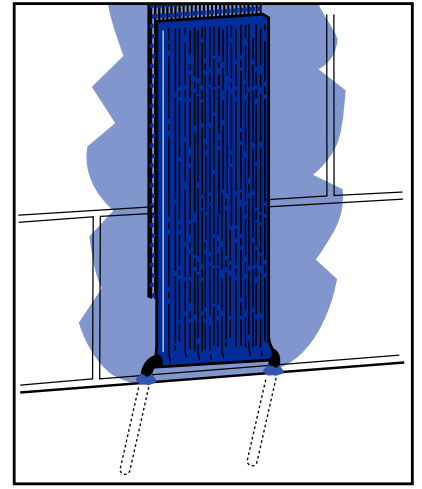


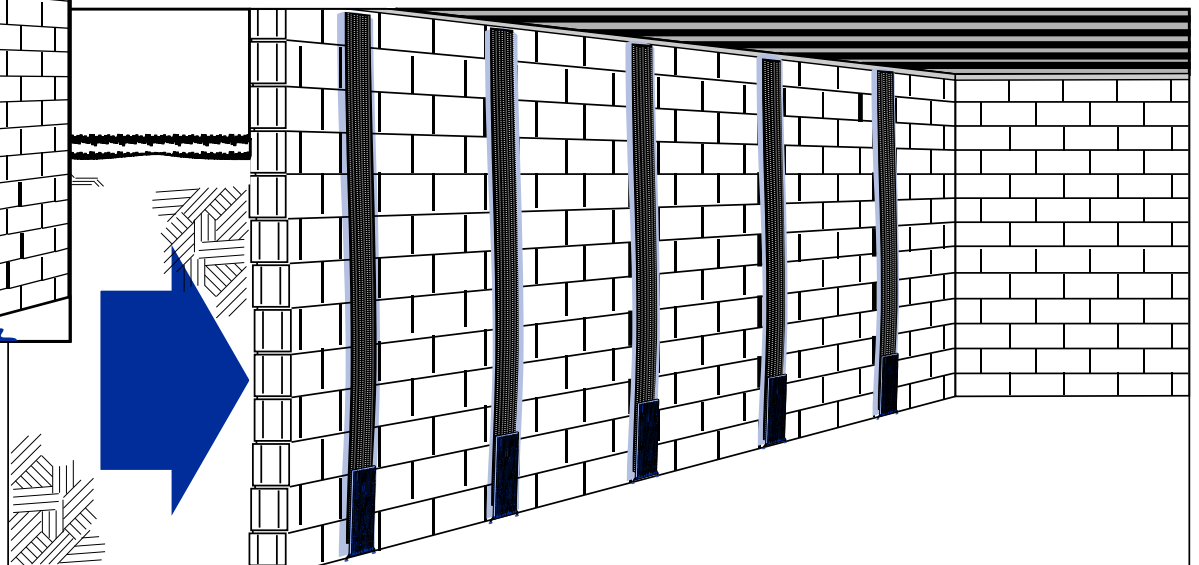
# FORTRESS

## STABILIZATION SYSTEMS

### Kit #6736 — Carbon Anchor INSTALLATION SHEET

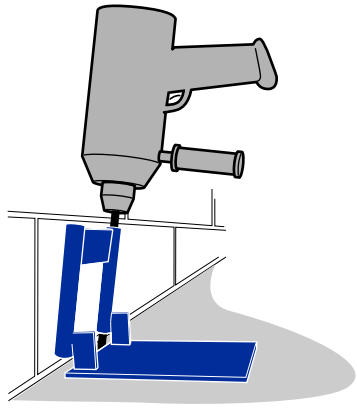


**NOTE:** The same epoxy is used for wall reinforcement, necktie anchors and locking staples, and all are installed at the same time.

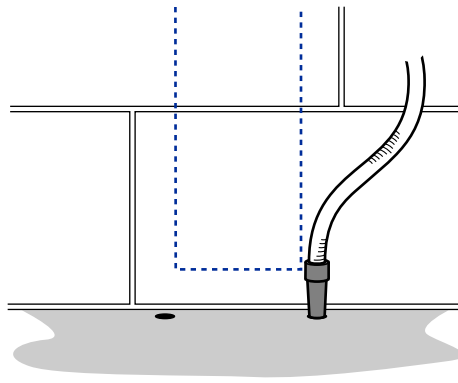


#### PREPARE FOR ANCHOR INSERTS

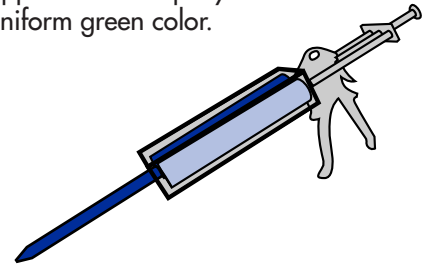
**Step 1** Position the drilling jig against the block wall and drill two 7/8" holes through the concrete.



**Step 2** Clean out and vacuum the holes and the whole surface to be sure it is free of dust and debris.



**Step 3** Load the double-cylinder epoxy cartridge into the Jake applicator and "burp" the cartridge so that an even flow of material exits both cylinders. Then fasten the static mixing tube to the end of the applicator. The epoxy will mix to a uniform green color.



FORTRESS STABILIZATION SYSTEMS  
184 W. 64th Street, Holland, MI 49423  
800-207-6204  
616-355-1421 Fax 616-355-1428

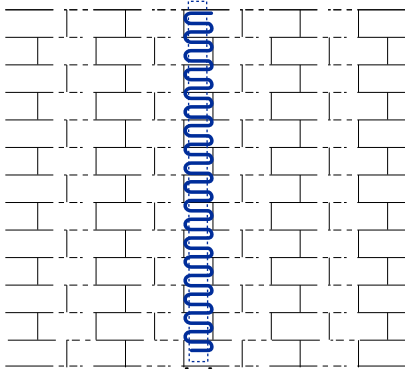
U.S. Patents Pending

Visit us at:  
[www.FortressStabilization.com](http://www.FortressStabilization.com)

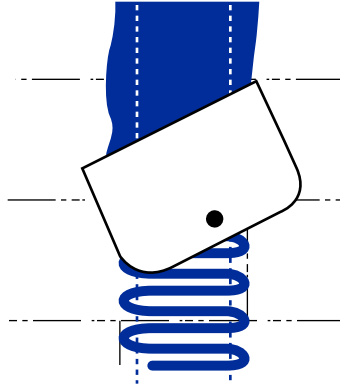
Item No. 6736-1609 Printed in U.S.A.

## ATTACH THE GRID STRAP

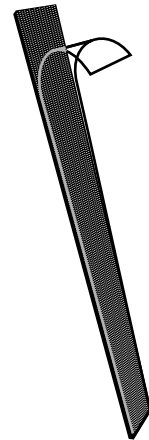
**Step 4** Apply epoxy to the wall at the grid strap location in a continuous bead zig-zagging over the entire space.



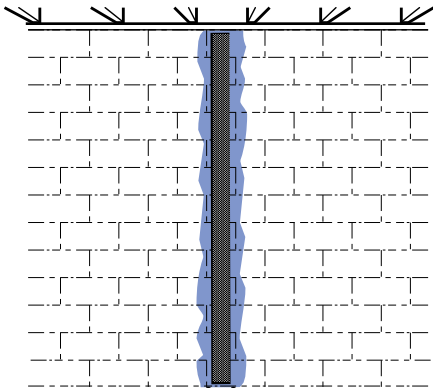
**Step 5** Use the trowel to spread the epoxy to achieve an even coating.



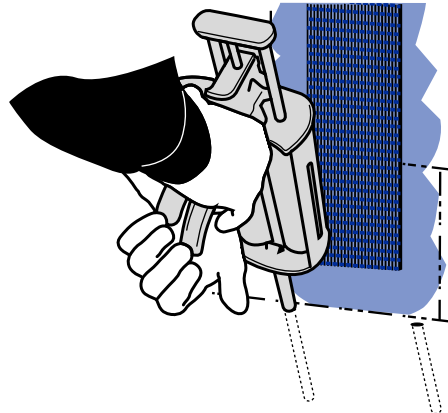
**Step 6** Remove peel ply from the grid strap.



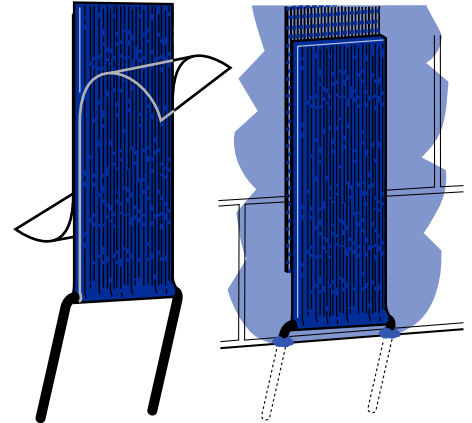
**Step 7** Carefully position the grid strap over the anchor plate and press into epoxy.



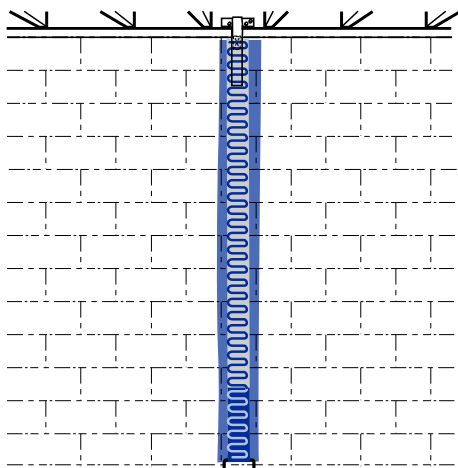
**Step 8** Fill the anchor holes with epoxy as completely as possible.



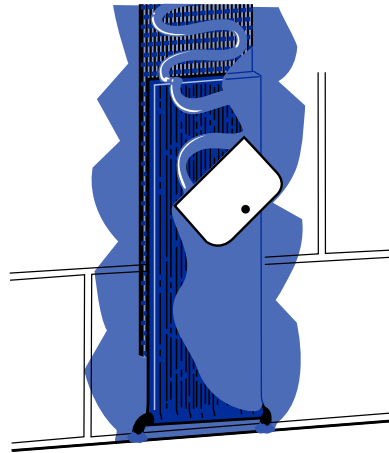
**Step 9** Remove peel ply from the carbon anchor plate and insert into holes over grid strap.



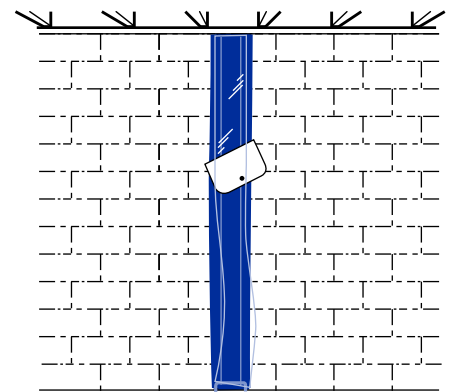
**Step 10** Install necktie and cover all with epoxy.



**Step 11** Completely cover all surfaces with epoxy and smooth over surface variations.



**Step 12** Cover all with polymer sheet and trowel smooth. Let cure for 24 hours then peel off polymer film.  
**Surface is ready to finish.**



FORTRESS STABILIZATION SYSTEMS  
184 W. 64th Street, Holland, MI 49423  
800-207-6204  
616-355-1421 Fax 616-355-1428

U.S. Patents Pending



**CAUTION:** Carbon fabric can shed very fine splinters. Use gloves at all times when handling carbon fiber.

Visit us at:

[www.FortressStabilization.com](http://www.FortressStabilization.com)