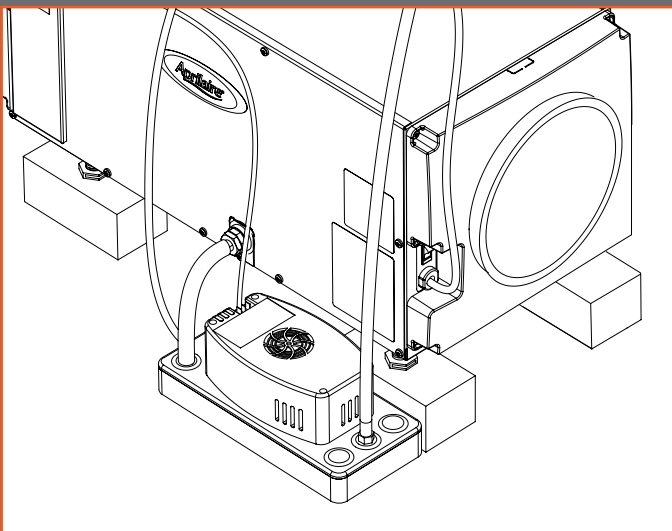


CONDENSATE REMOVAL PUMP

Pumps condensation from dehumidifiers outside when no interior drain is accessible



Automatic, maintenance-free operation for removing condensation drainage from dehumidifiers when no drain is accessible

Corrosion-resistant construction is designed to resist high humidity environments

20' tubing kit included for quick and easy installation

Optional safety switch for automatic shutoff to prevent flooding

Item #	Description
S5CON50	Condensate Pump

PUMP PERFORMANCE			
Lift Height	5'	10'	15'
Gallons/Hour	150	110	60