

AprilAire®

Radon

Mitigation Fan

ARN25F

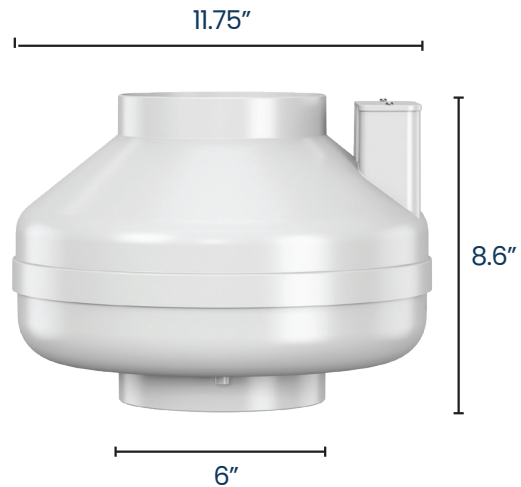


RADON MITIGATION FAN

AprilAire® fans are specifically designed for radon mitigation. AprilAire Fans provide superb performance, and run ultra-quiet. The ARN25F is ideal for most sub-slab radon mitigation systems with a basement or slab size between **1500 and 2500 square feet***.

FEATURES

- Energy efficient
- Ultra-quiet operation
- Meets all electrical code requirements
- Housing that stays white
- Water-hardened motorized impeller
- Seams sealed to inhibit radon leakage (ARN25F double snap sealed)
- ETL Listed - for indoor or outdoor use
- Thermally protected motor
- Rated for commercial and residential use



MODEL	FAN DUCT DIAMETER	WATTS	RECOM. MAX. OP. PRESSURE "WC	TYPICAL CFM VS. STATIC PRESSURE WC					
				0"	0.2"	0.5"	1.0"	1.5"	2.0"
ARN25F	6"	95-139	2.3	375	340	282	204	140	70



with U.S. and imported parts.



ETL Listed



All AprilAire Radon Mitigation Fans are covered by our 5-year, hassle-free warranty.

*Other factors play into fan selection, such as soil/grade type, home construction, etc.

AprilAire®

Radon

Mitigation Kit & Accessories

RADON MITIGATION KIT - 25F

Everything you need to set up radon mitigation and monitoring in homes. Includes a 6x4 coupling, manometer, and the ARNALM Radon System Alarm.

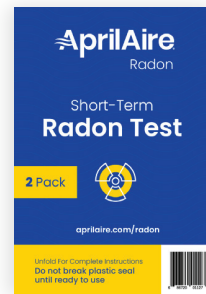
P/N ARN25K



RADON TEST KIT

Make radon testing a part of your service and maintenance calls. Available in single packs and 2-packs.

P/N ARNTK1 (1-Pack)
P/N ARNTK2 (2-Pack)



RADON SYSTEM ALARM

Install the Radon System Alarm to ensure that the mitigation system is performing without issue.

P/N ARNALM



Form No. 8603 • 309510 • 05.22

© 2021 AprilAire | aprilairpartners.com | 800.334.6011

AprilAire reserves the right to change specifications without notice.